

# Refugio Matanzas

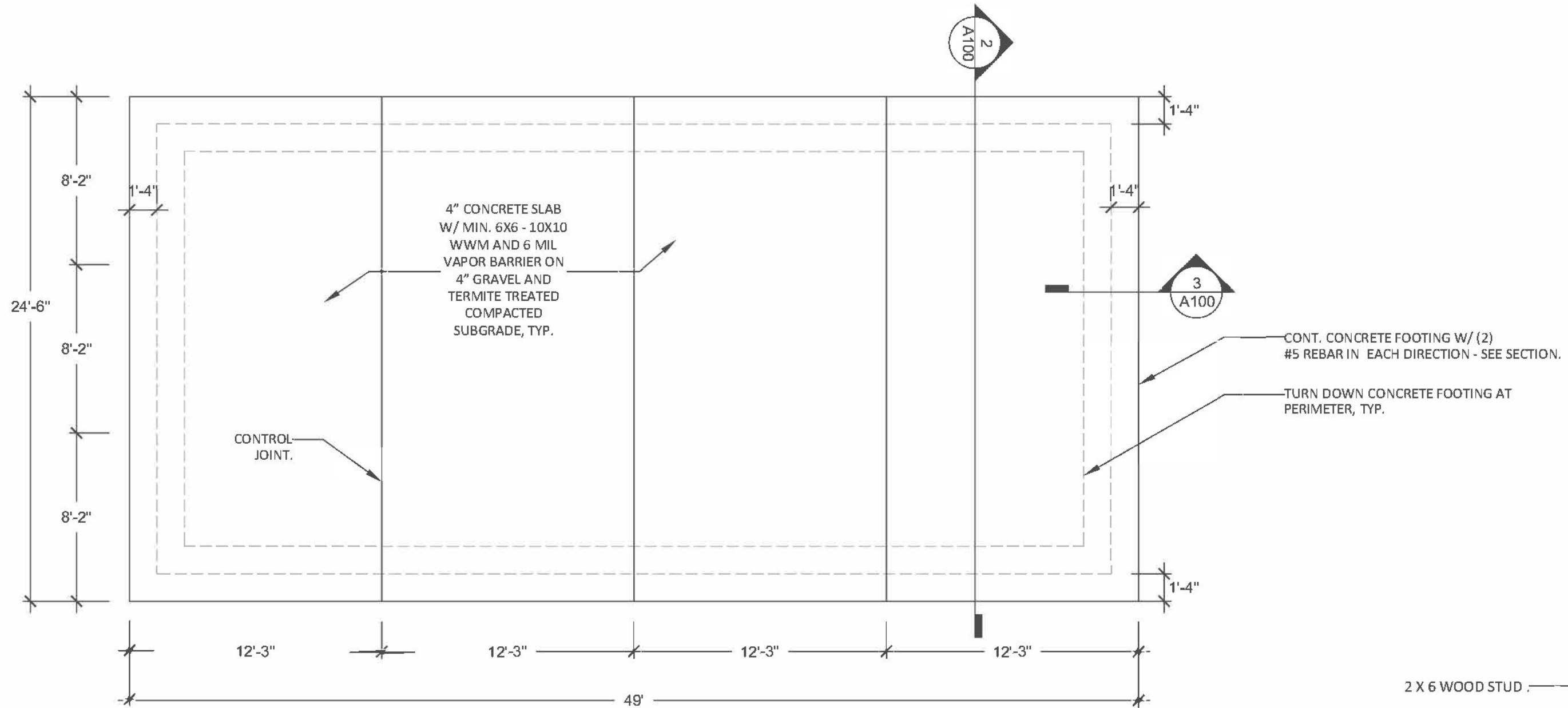
Hasbun-Pardo House

Architecture Firm: Cerda Pe Arquitectos  
Lead Architect: Sebastian Cerda Pe

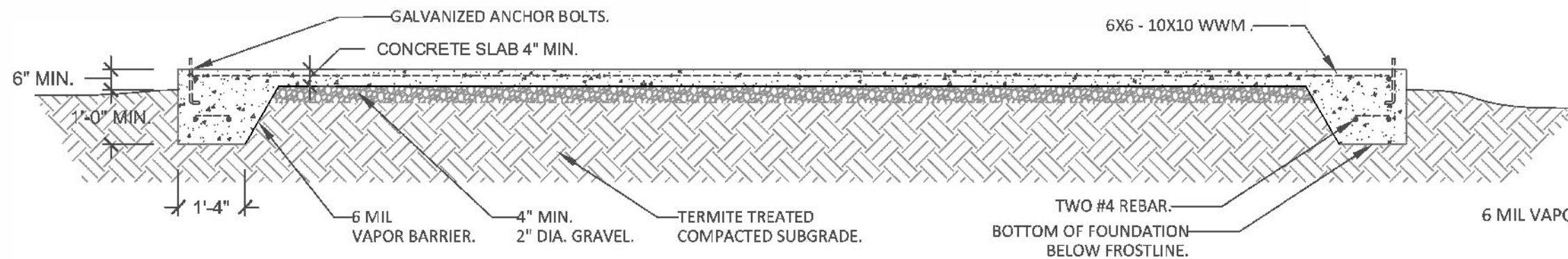
614 SQ. FT. Interior  
517 SQ. FT. Terrace



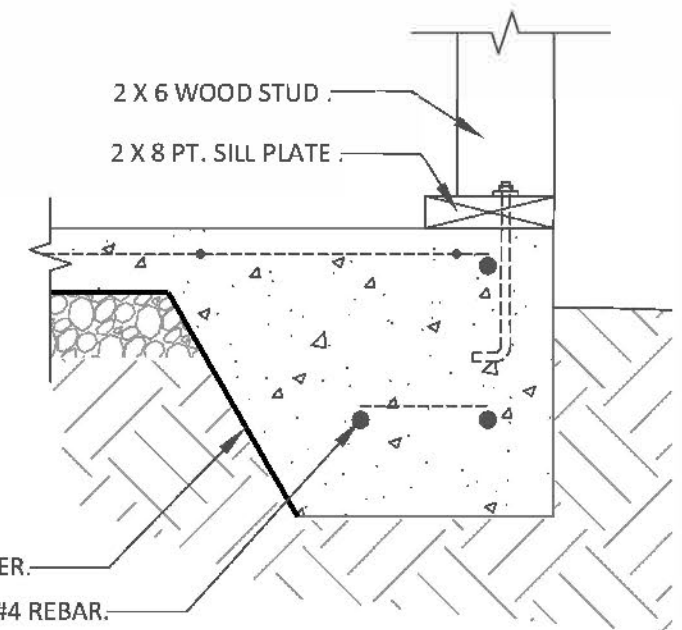
Local Pine wood used for structure and cladding provided by Arauco,



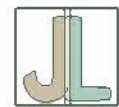
1 FOUNDATION PLAN  
3/16"=1'-0"



2 FOUNDATION SECTION  
3/8"=1'-0"



3 THICKENED EDGE SLAB  
1"=1'-0"



JESSICA LEWANDOWSKI

ARCH-241 SUMMER 2020

DRAWN BY: JL

DATE DRAWN: 7/29

CHECKED BY: DB

# REFUGIO MATANZAS

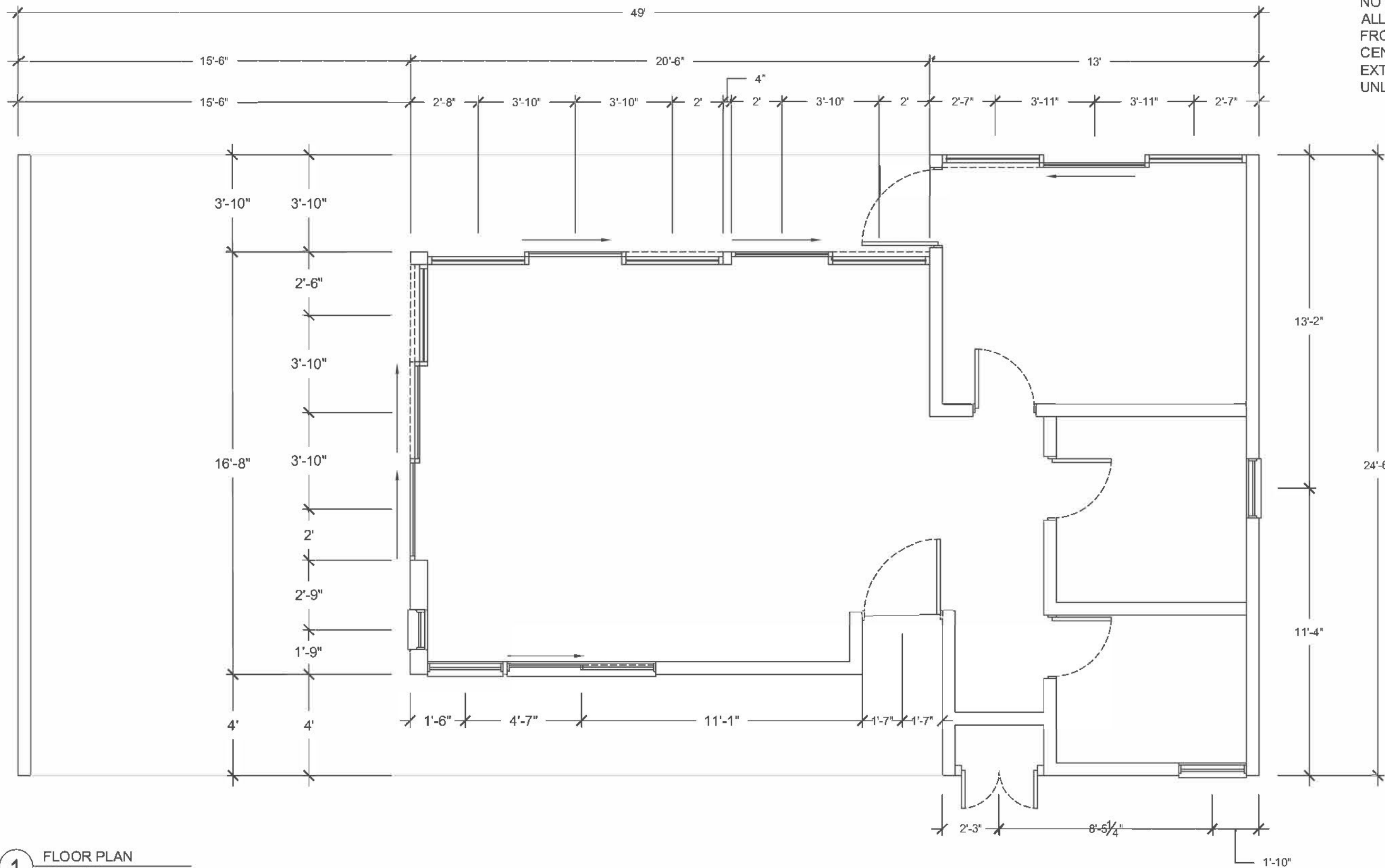
LAS BRISAS, MATANZAS CHILE

CERDA PE ARQUITECTOS

## FOUNDATION

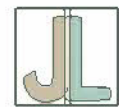
SCALE AS SHOWN

A-100



NOTE:  
 ALL DIMENSIONS ARE MEASURED  
 FROM CENTERLINE TO  
 CENTERLINE OR CENTERLINE TO  
 EXTERIOR FACE OF WALL  
 UNLESS OTHERWISE NOTED.

1 FLOOR PLAN  
 1/4"=1'-0"



JESSICA LEWANDOWSKI

ARCH-241 SUMMER 2020

DRAWN BY: JL

DATE DRAWN: 7/25

CHECKED BY: DB

# REFUGIO MATANZAS

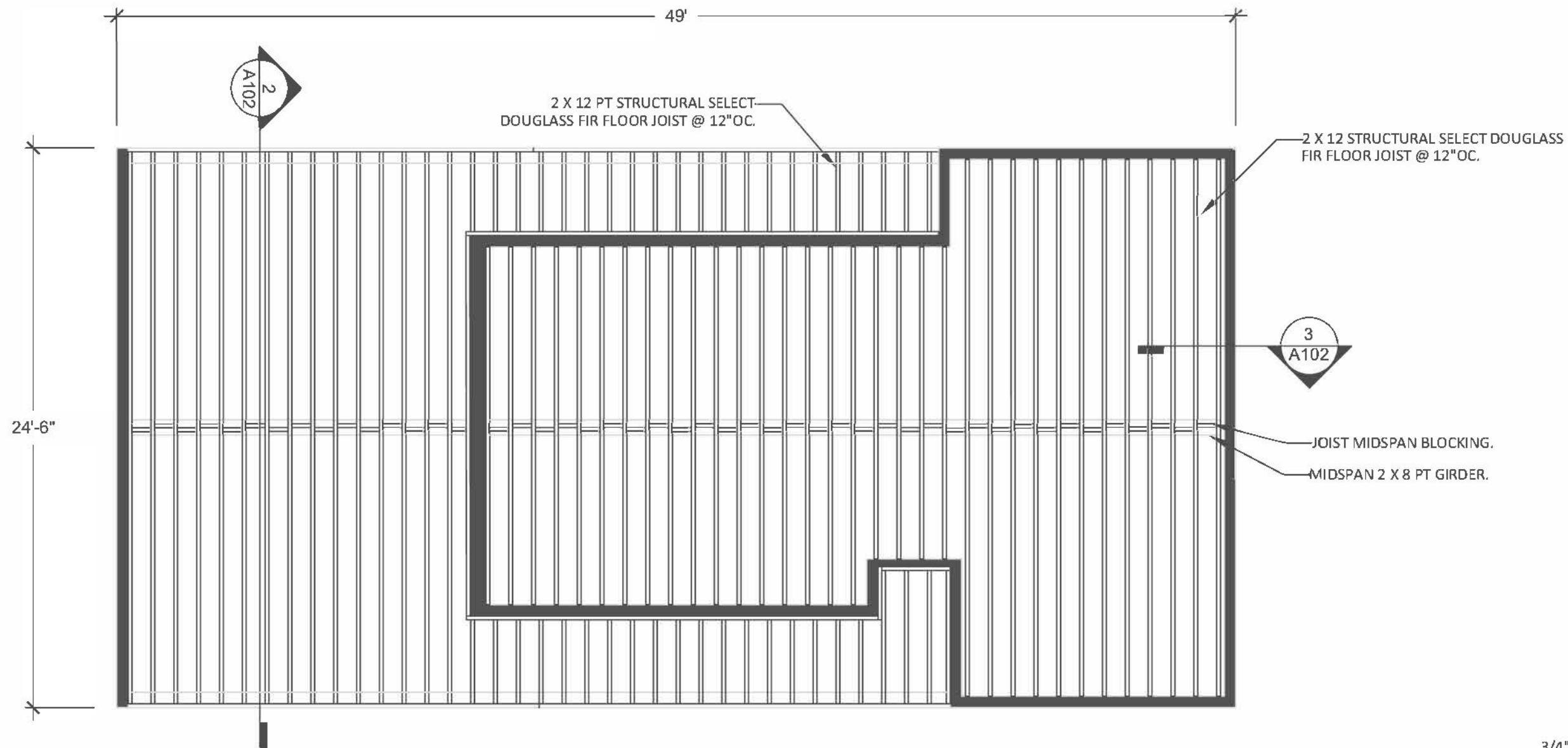
LAS BRISAS, MATANZAS CHILE

CERDA PE ARQUITECTOS

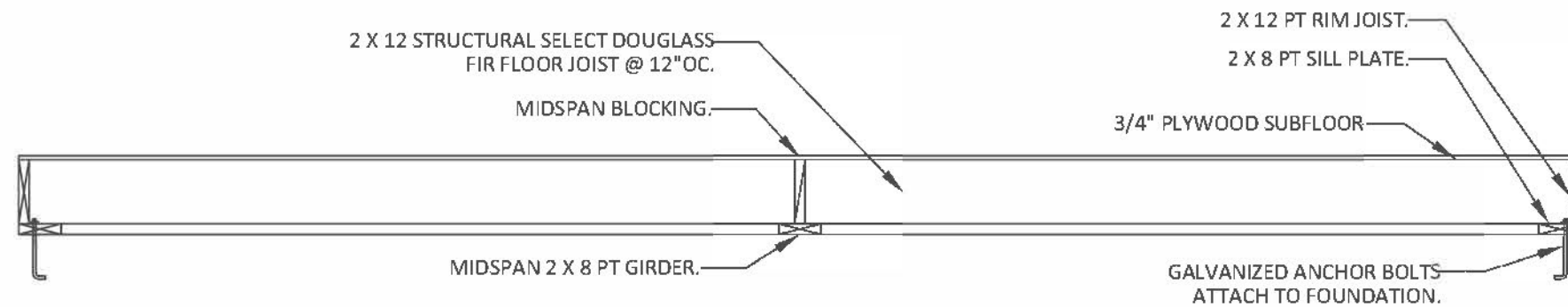
## FLOOR PLAN

SCALE AS SHOWN

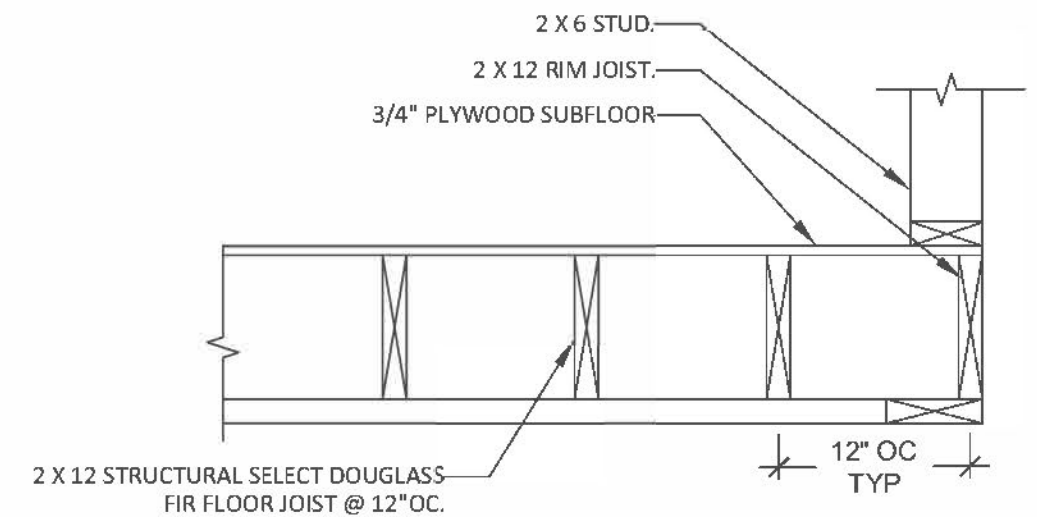
A-101



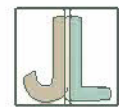
1 FLOOR FRAMING PLAN  
3/16"=1'-0"



2 FLOOR FRAMING SECTION  
3/8"=1'-0"



3 FLOOR FRAMING SECTION  
3/4"=1'-0"



JESSICA LEWANDOWSKI

ARCH-241 SUMMER 2020

DRAWN BY: JL  
DATE DRAWN: 8/11  
CHECKED BY: DB

# REFUGIO MATANZAS

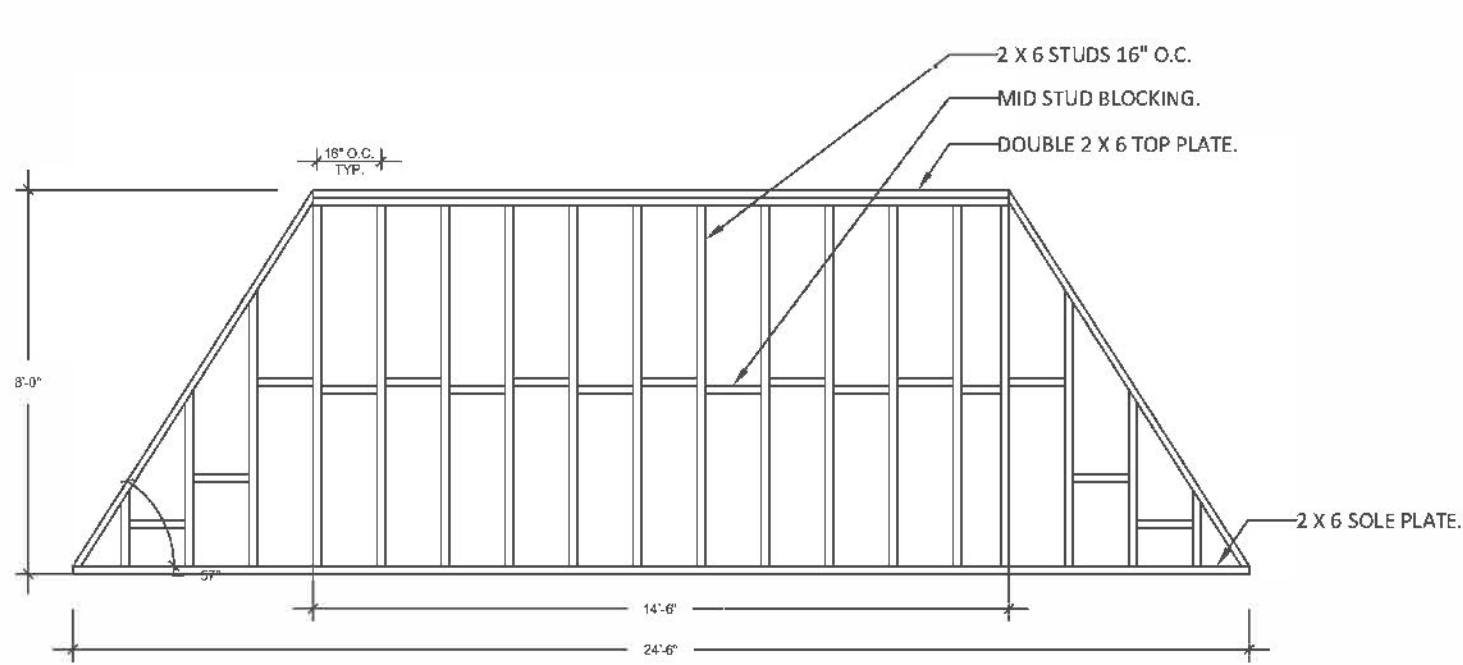
LAS BRISAS, MATANZAS CHILE

CERDA PE ARQUITECTOS

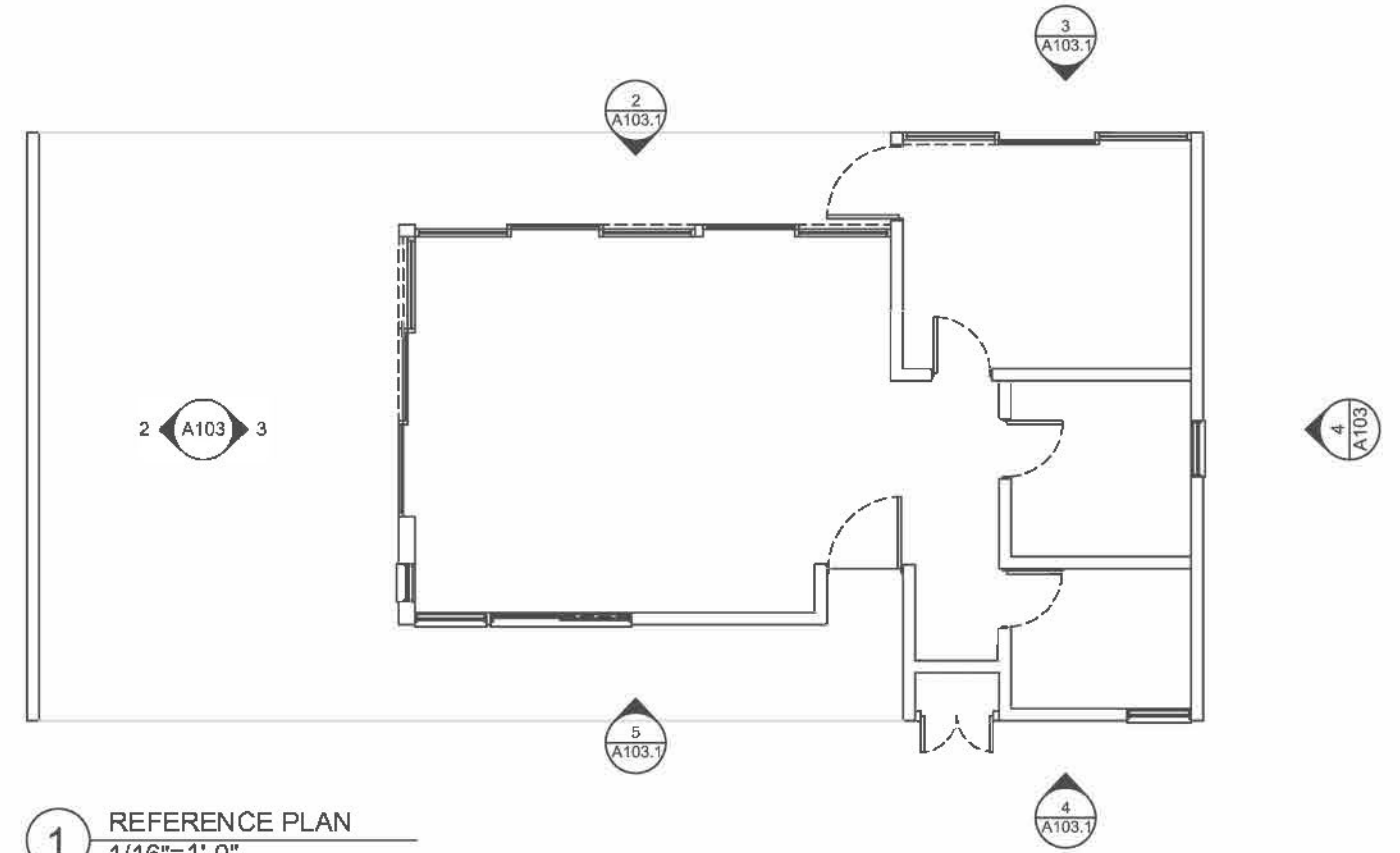
## FLOOR FRAMING PLAN

SCALE AS SHOWN

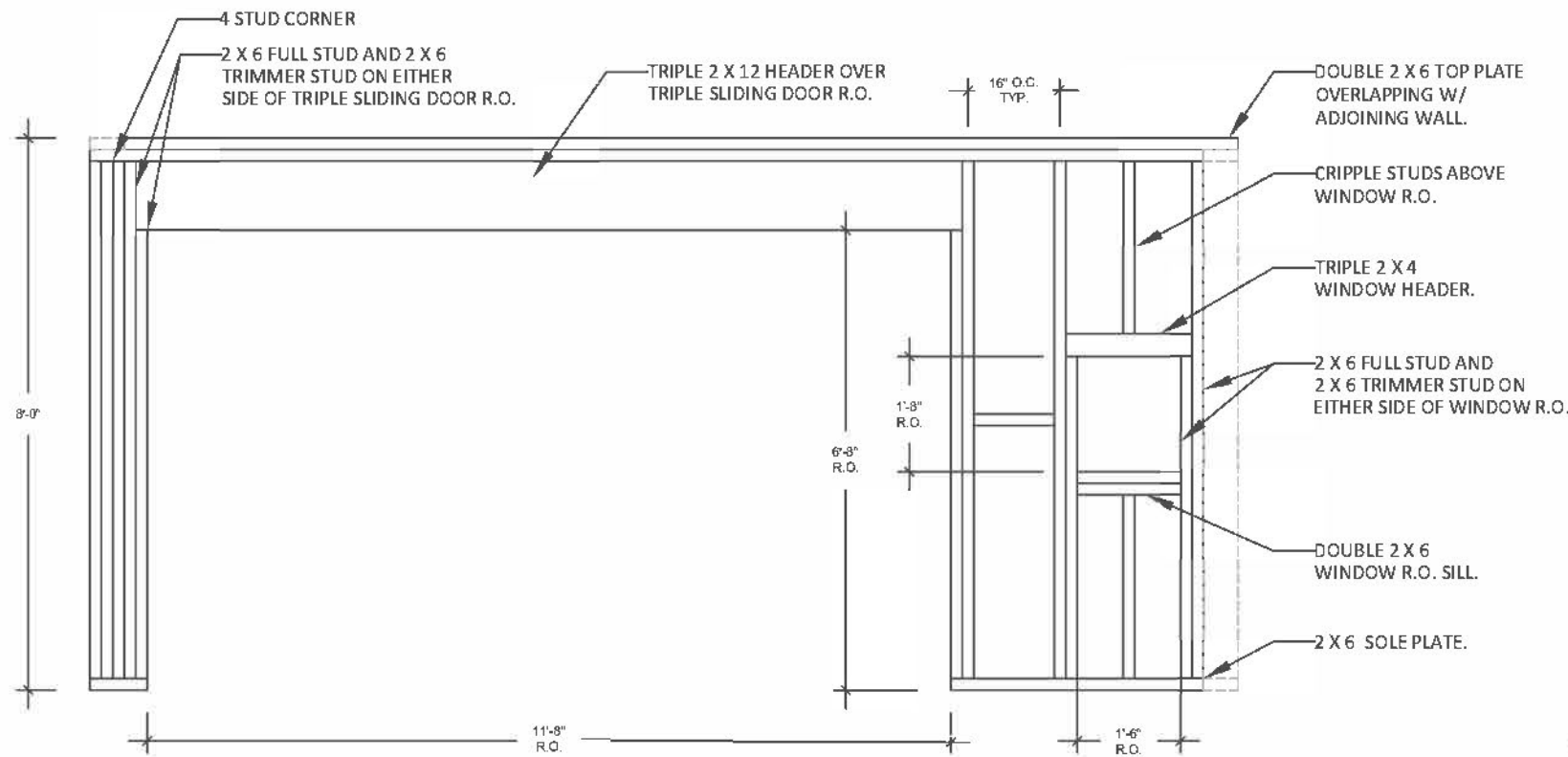
A-102



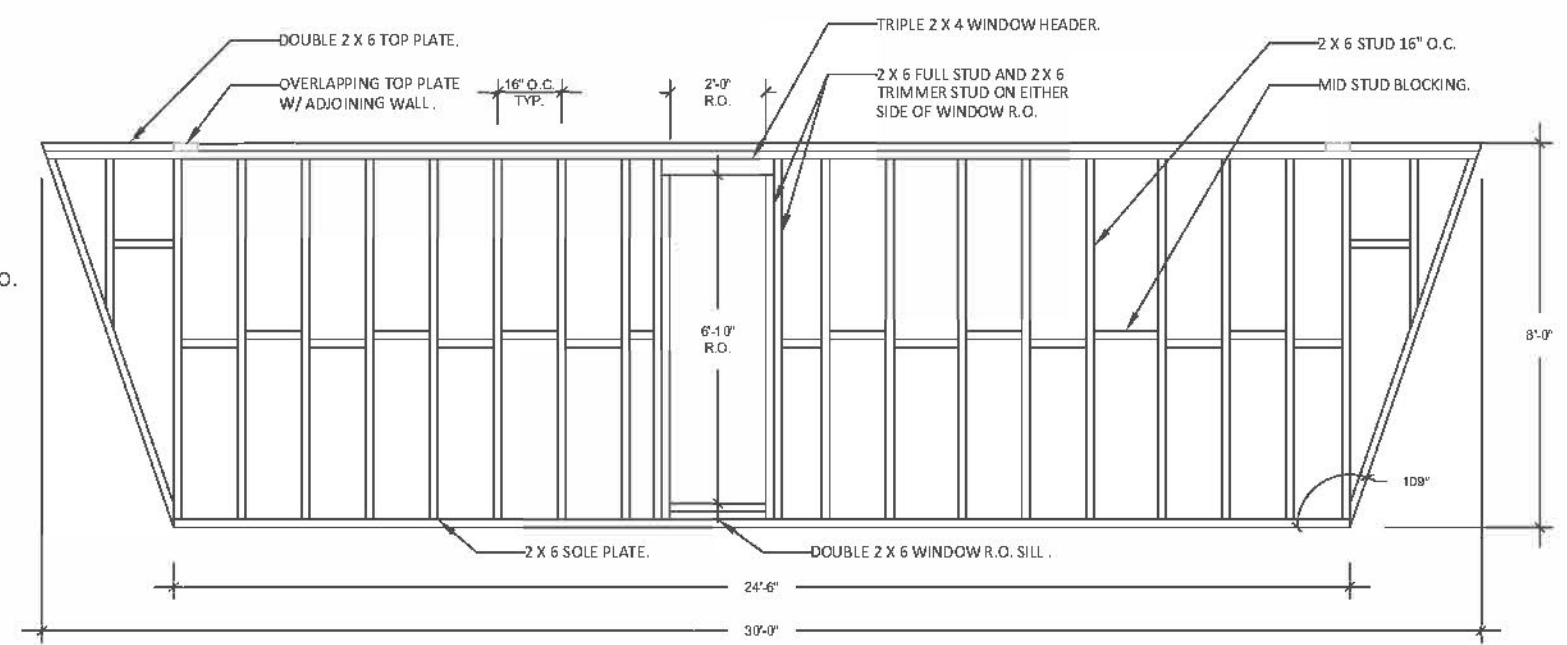
**2** WALL FRAMING ELEVATION  
1/4"=1'-0"



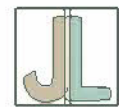
**1** REFERENCE PLAN  
1/16"=1'-0"



**3** WALL FRAMING ELEVATION  
3/8"=1'-0"



**4** WALL FRAMING ELEVATION  
1/4"=1'-0"



JESSICA LEWANDOWSKI

ARCH-241 SUMMER 2020

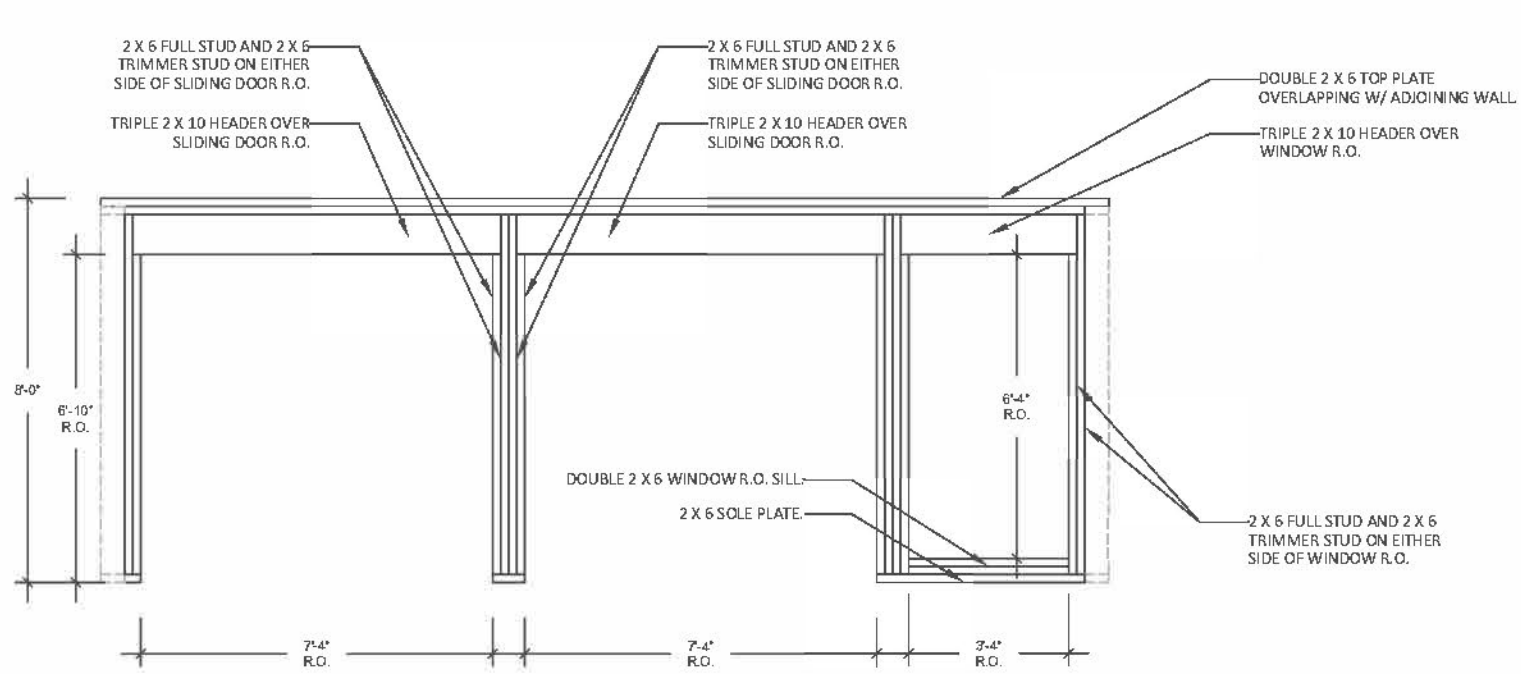
DRAWN BY: JL  
DATE DRAWN: 8/9  
CHECKED BY: DB

**REFUGIO MATANZAS**  
LAS BRISAS, MATANZAS CHILE  
CERDA PE ARQUITECTOS

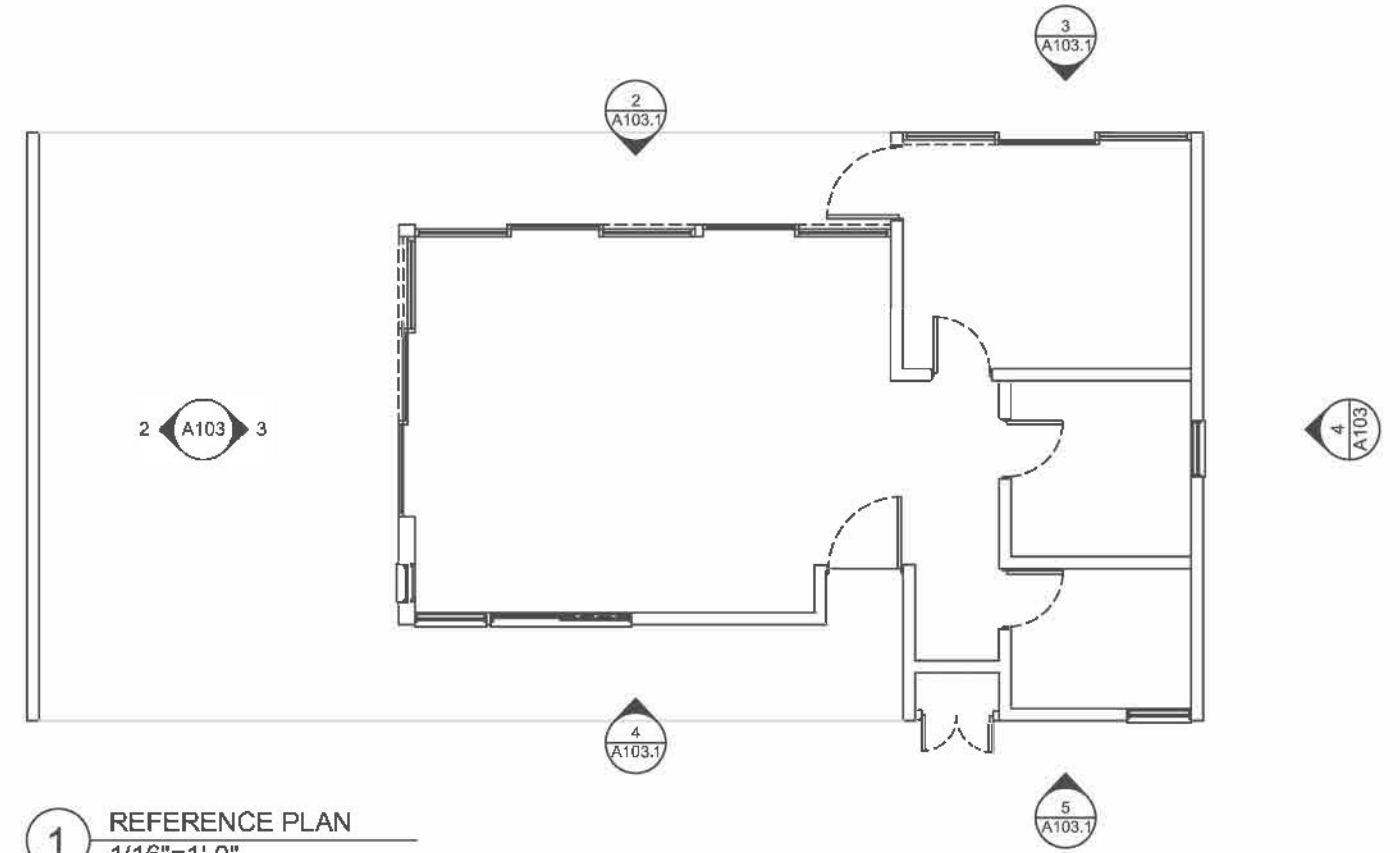
**WALL FRAMING**

SCALE AS SHOWN

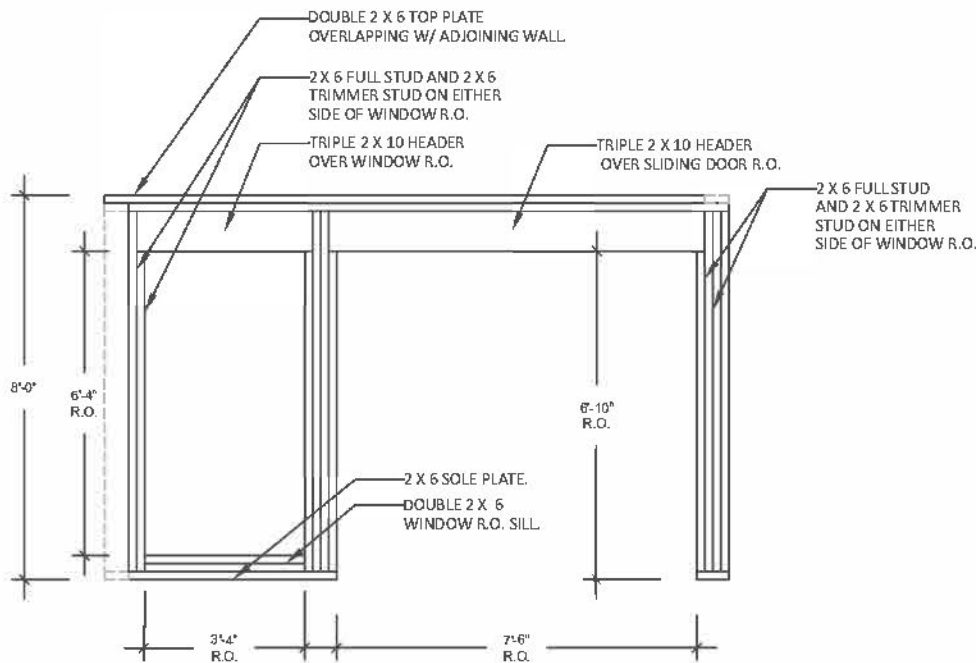
**A-103**



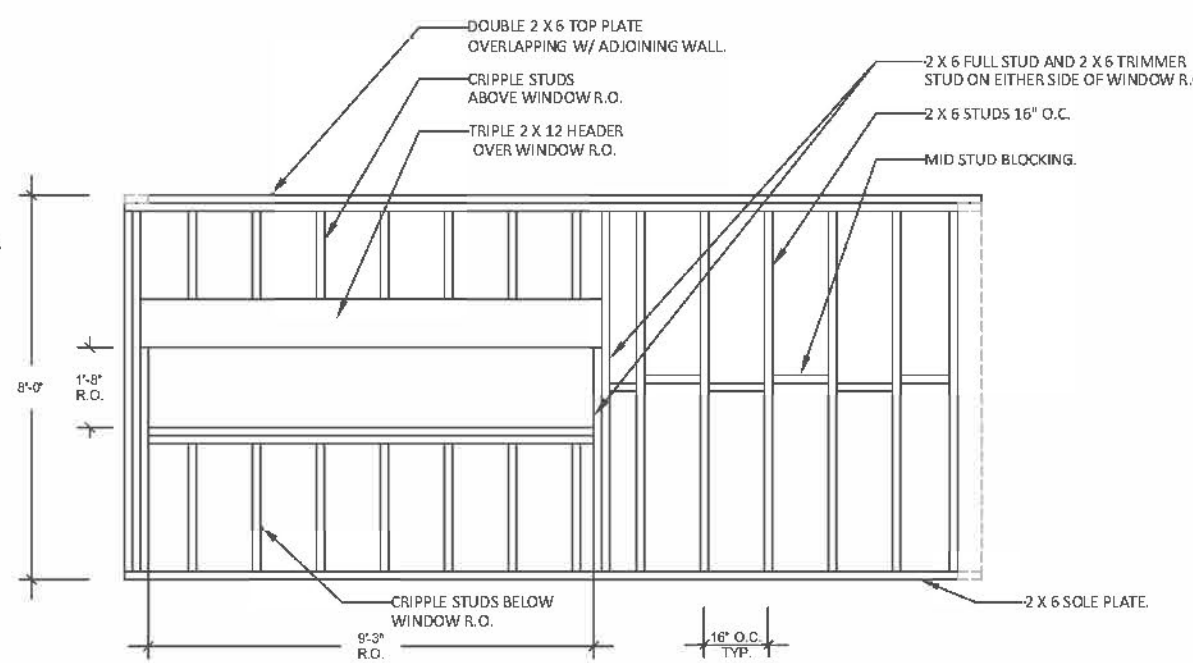
**2** WALL FRAMING ELEVATION  
1/4"=1'-0"



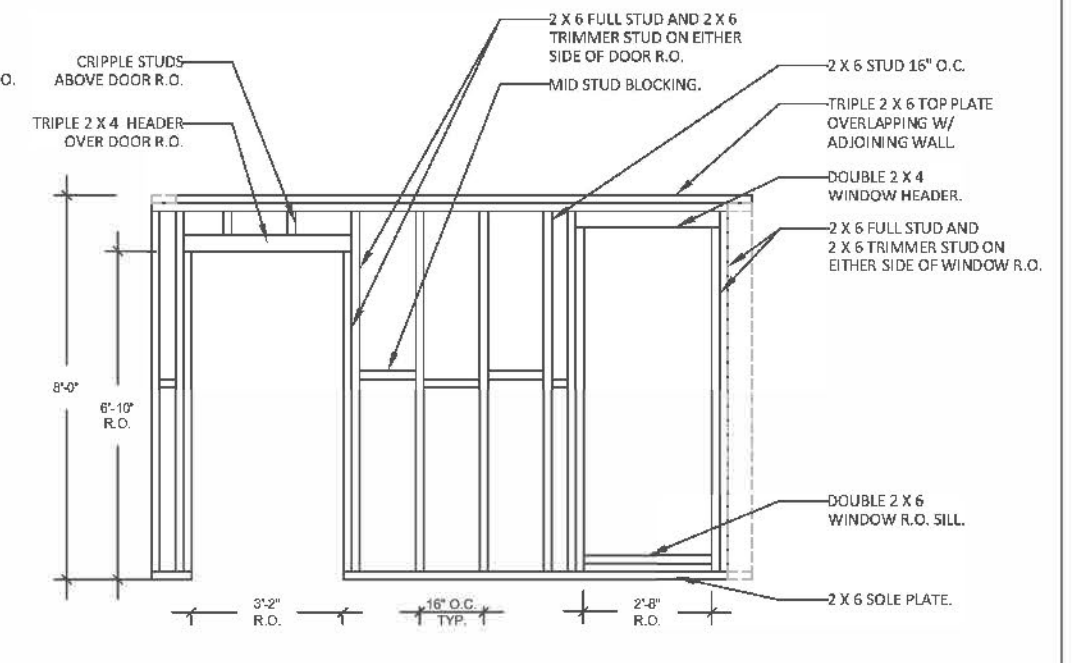
**1** REFERENCE PLAN  
1/16"=1'-0"



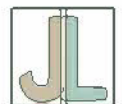
**3** WALL FRAMING ELEVATION  
1/4"=1'-0"



**4** WALL FRAMING ELEVATION  
1/4"=1'-0"



**5** WALL FRAMING ELEVATION  
1/4"=1'-0"



JESSICA LEWANDOWSKI

ARCH-241 SUMMER 2020

DRAWN BY: JL  
DATE DRAWN: 8/9  
CHECKED BY: DB

# REFUGIO MATANZAS

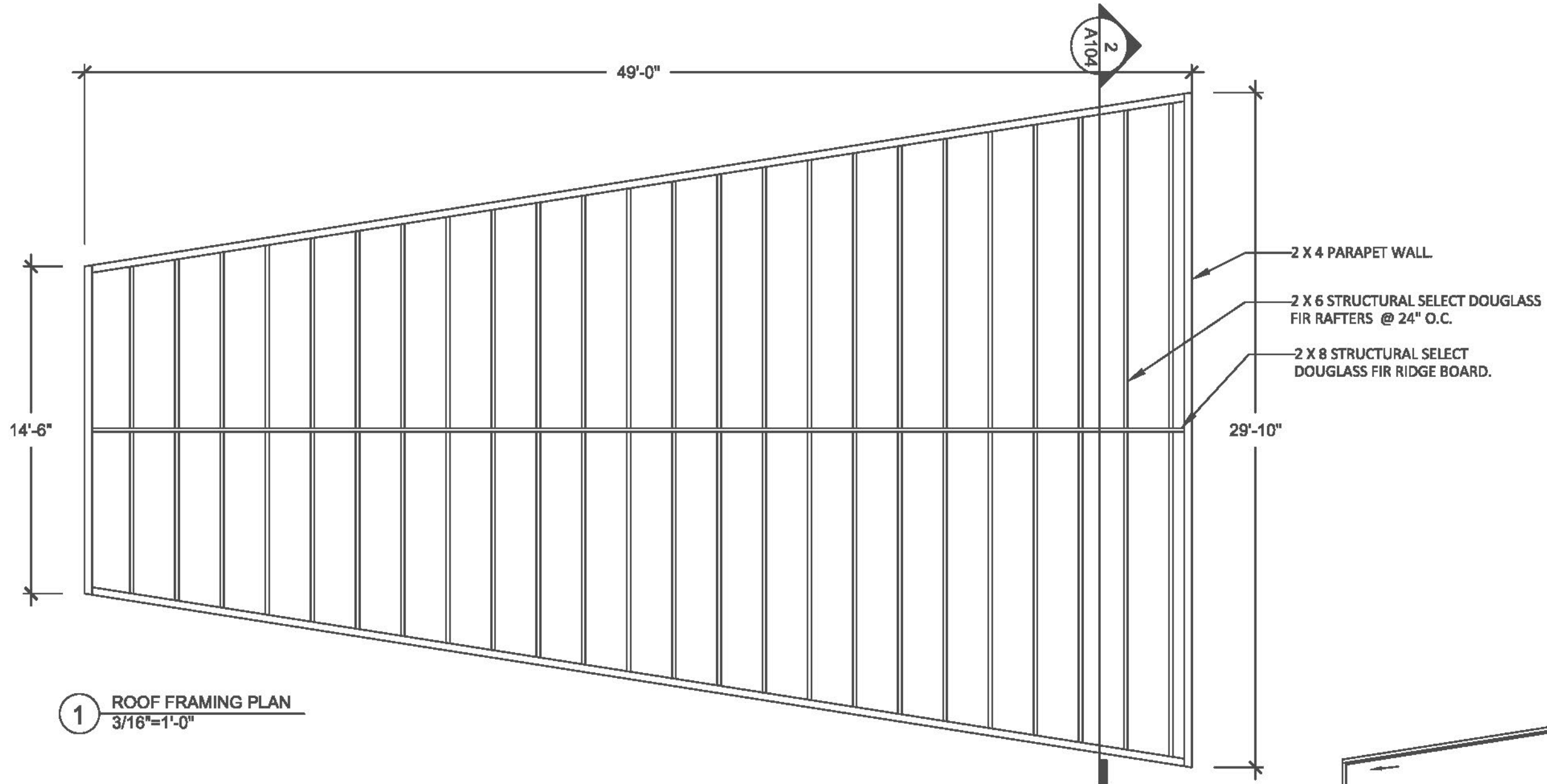
LAS BRISAS, MATANZAS CHILE

CERDA PE ARQUITECTOS

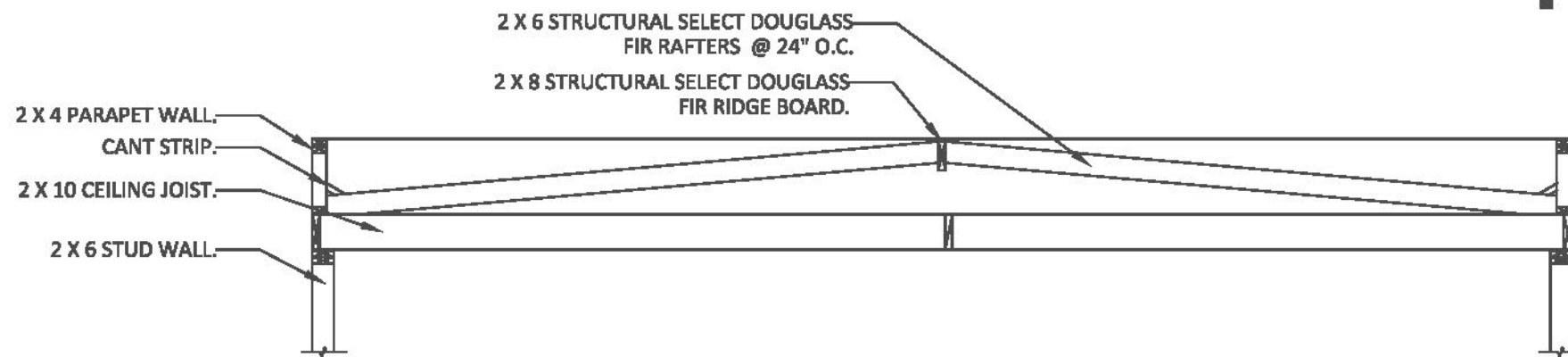
## WALL FRAMING

SCALE AS SHOWN

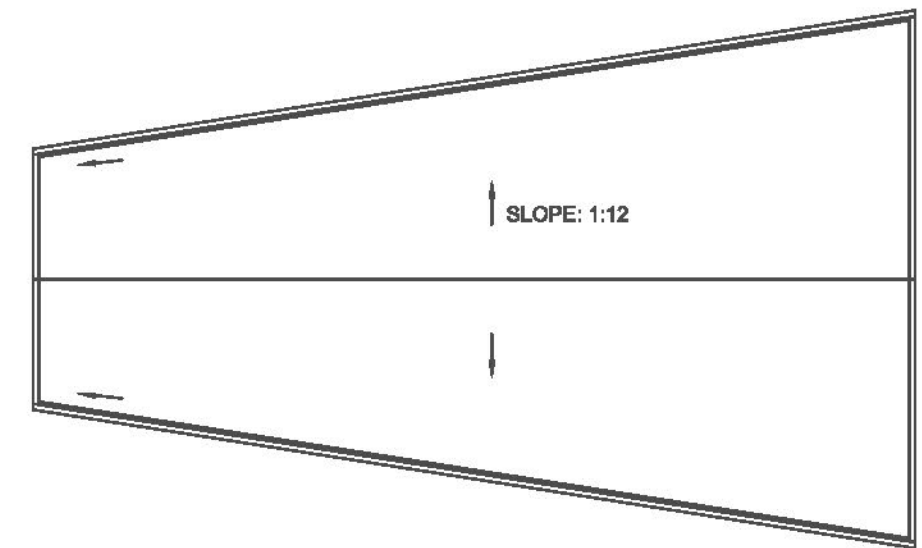
A-103.1



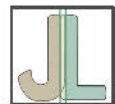
1 ROOF FRAMING PLAN  
3/16"=1'-0"



2 ROOF FRAMING SECTION  
1/4"=1'-0"



3 ROOF PLAN  
3/32"=1'-0"



JESSICA LEWANDOWSKI

ARCH-241 SUMMER 2020

DRAWN BY: JL

DATE DRAWN: 8/12

CHECKED BY: DB

## REFUGIO MATANZAS

LAS BRISAS, MATANZAS CHILE

CERDA PE ARQUITECTOS

## ROOF FRAMING PLAN

SCALE AS SHOWN

A-104